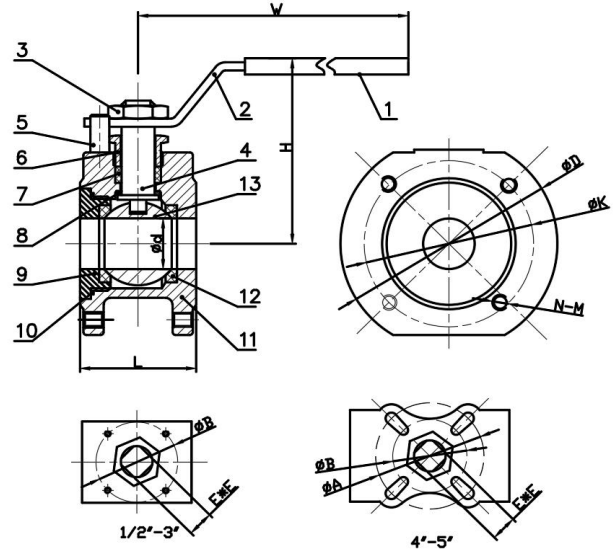




Cangzhou Changyuan Fittings Co.,Ltd

Add:No.26 Shigang Road,Development Zone,Cangzhou ,Hebei,China Pc:061000
 Http://www.con-well.com Email:con-well@vip.163.com sale@con-well.com

1PC FLANGED BALL VALVES , WAFER TYPE PN16



Size	d	L	H	W	A	B	D	E*E	K	N-M	ISO5211
DN15	15.0	39.0	64.0	130.0		36.0	95.0	9*9	65.0	4-M12	F03
DN20	20.0	44.0	70.0	130.0		36.0	105.0	9*9	75.0	4-M12	F03
DN25	25.0	48.0	76.0	160.0		42.0	115.0	11*11	85.0	4-M12	F04
DN32	32.0	54.0	83.0	160.0		42.0	140.0	11*11	100.0	4-M16	F04
DN40	38.0	62.0	99.0	185.0		50.0	150.0	14*14	110.0	4-M16	F05
DN50	50.0	75.0	105.0	185.0		50.0	165.0	14*14	125.0	4-M16	F05
DN65	65.0	90.0	132.0	230.0		70.0	185.0	17*17	145.0	4-M16	F07
DN80	76.0	110.0	146.5	230.0		70.0	200.0	17*17	160.0	8-M16	F07
DN100	94.0	150.0	161.0	318.0	102.0	70.0	220.0	22*22	180.0	8-M16	F07/F10
DN125	98.0	156.0	175.0	318.0	102.0	70.0	250.0	22*22	210.0	8-M16	F07/F10

MATERIAL LIST

Item	Description	Material
1	HANDLE COVER	PLASTIC
2	HANDLE	304
3	NUT	304
4	STEM	304
5	STOP PIN	304
6	GLAND	304
7	STEM PACKING	PTFE
8	STEM SEAL	PTFE
9	CAP	304/316
10	BODY SEAL	PTFE
11	BODY	304/316
12	BALL SEAT	RPTFE
13	BALL	304/316

FEATURES:

- Working pressure:PN16.
- Working temperature:-10°C to 150°C.
- Suitable medium:W.O.G.
- PED97/23/EC(CE0343)Approved.
- Inspection Testing:API598,EN12266.

Flange surface: two options (Regular/Customized)

